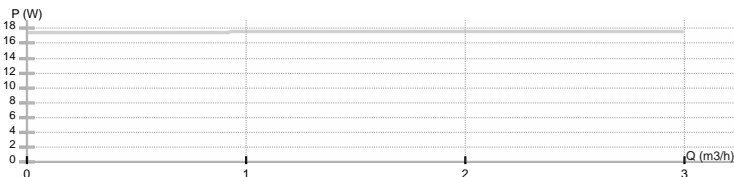
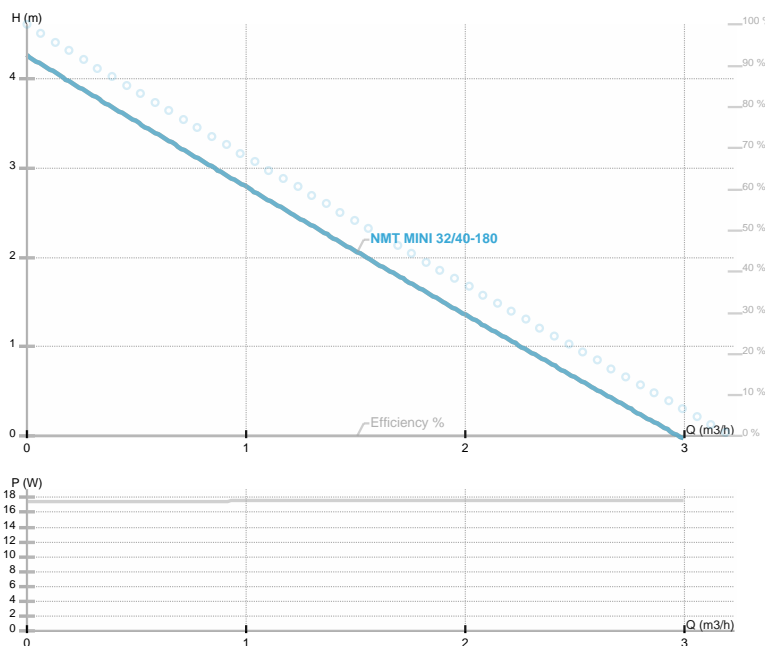




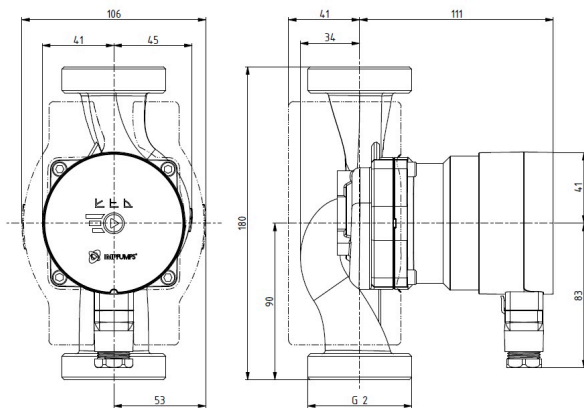
NMT MINI 32/40-180

NMT MINI



| | |
|---------------------|-----------------------------------|
| Part number | 979525374 |
| Power supply | 1~230 V |
| Declared protection | IP44 |
| Q max | 3.1 [m³/h] |
| H max | 4.0 [m] |
| RPM | 4000 [1/min] |
| Motor power | 20 [w] |
| Declared current | 0.17 [A] |
| Fluid | Water VDI 2035, glycol 40% |
| Fluid temperature | -10.0 ÷ 110.0 [°C] |
| Insulation class | F |
| DN | 32 [mm] |
| Connector | Rp 1¼ |
| Net weight | 1.93 [kg] |
| Length | 180 [mm] |
| Approvals | |
| EEL | 0.14 |
| Efficiency | 51 [%] |
| Impeller material | Noryl Fe 1630PW |
| Bearing material | all carbon |
| Shaft material | AISI 420 |
| Hydraulics material | Gray cast iron |
| Mains frequency | 50/60 Hz |
| Connection | Rp 1¼ |
| Max pressure | 1.0 MPa |
| Ambient temp.range | 40 deg C |

Drawing



Electrical wiring

